

SHOULDERED COUPLING

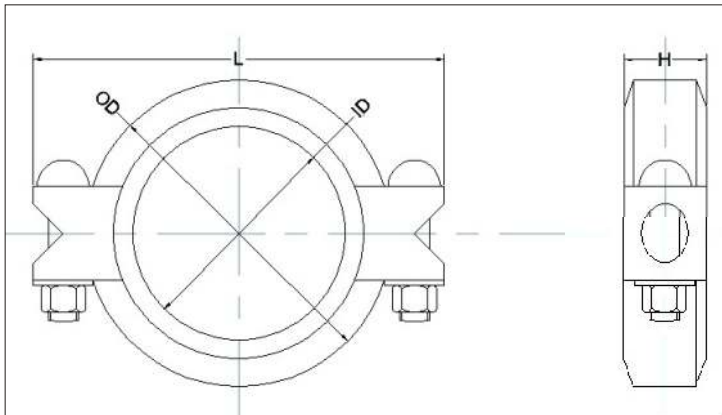
KLAMFLEX general purpose Shouldered Couplings are manufactured in accordance with SANS 815 and can be used on shouldered end pipes for various applications.

Materials of construction

Body – Ductile Iron (ASTMA536 Grade 65-45-12)

Bolts & Nuts – Carbon Steel (GR 8.8 ASTMA183)

Gaskets – EPDM (ASTMD2000)



NOMINAL BORE (mm)	PIPE OD (mm)	WORKING PRESSURE (Mpa)	BOLT SIZE (mm)	OD (mm)	ID (mm)	L (mm)	H (mm)	APPROX MASS (Kg)
50	60.3	4.0	M10x55	97	61	132	48	0.9
80	88.9	4.0	M12x85	127	90.6	170	48	1.30
100	114.3	3.5	M12x85	156	115.6	206	52	1.80
150	165.1	3.5	M16x100	212	167	273	52	2.50
200	219.1	3.0	M20x110	280	221	346	60	5.10